

DATA SHEET

VARIAIR BCV 150 CLAW VACUUM PUMPS

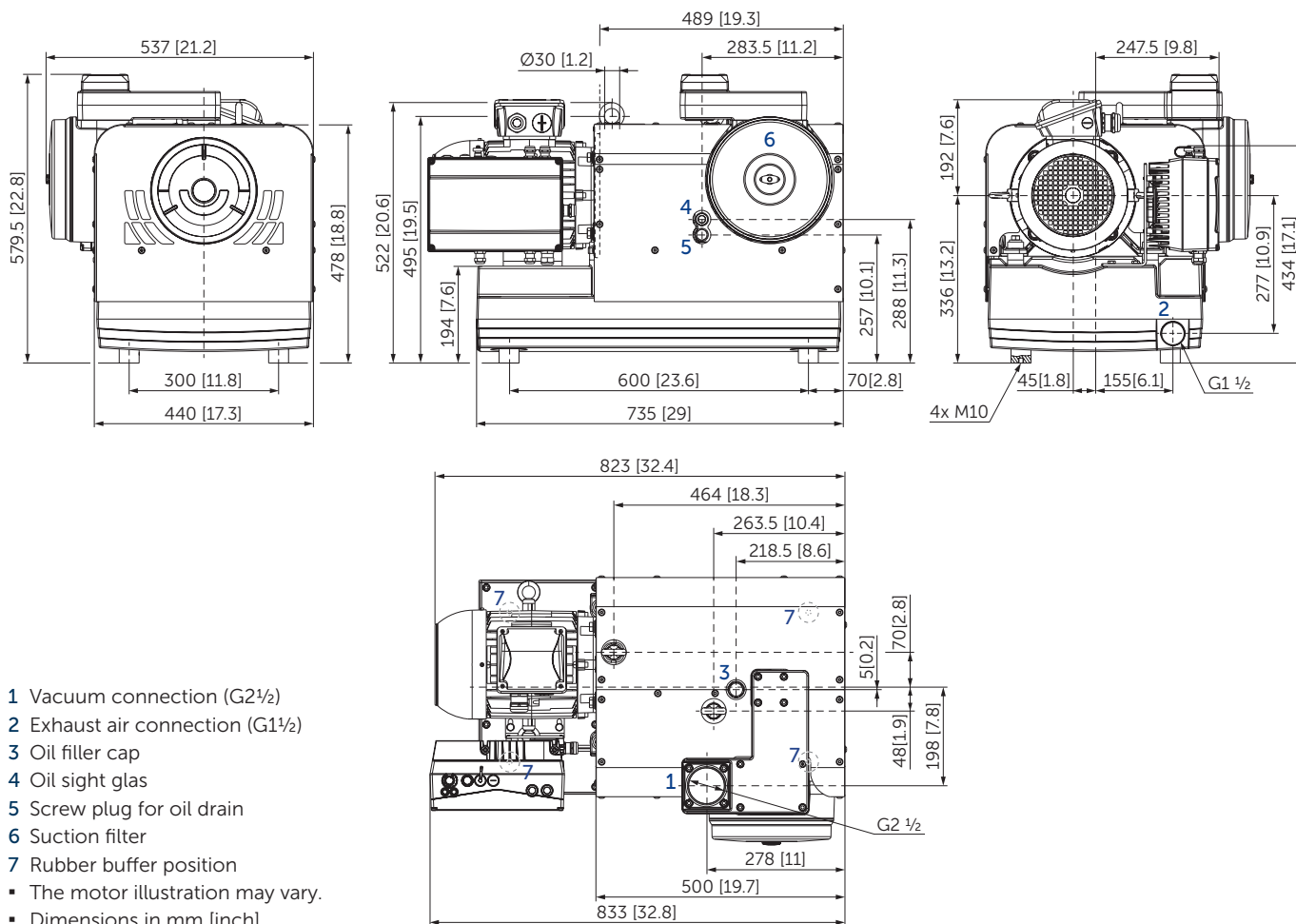
dry and contact free compression
air-cooled, frequency inverter

MAKE IT BECKER.



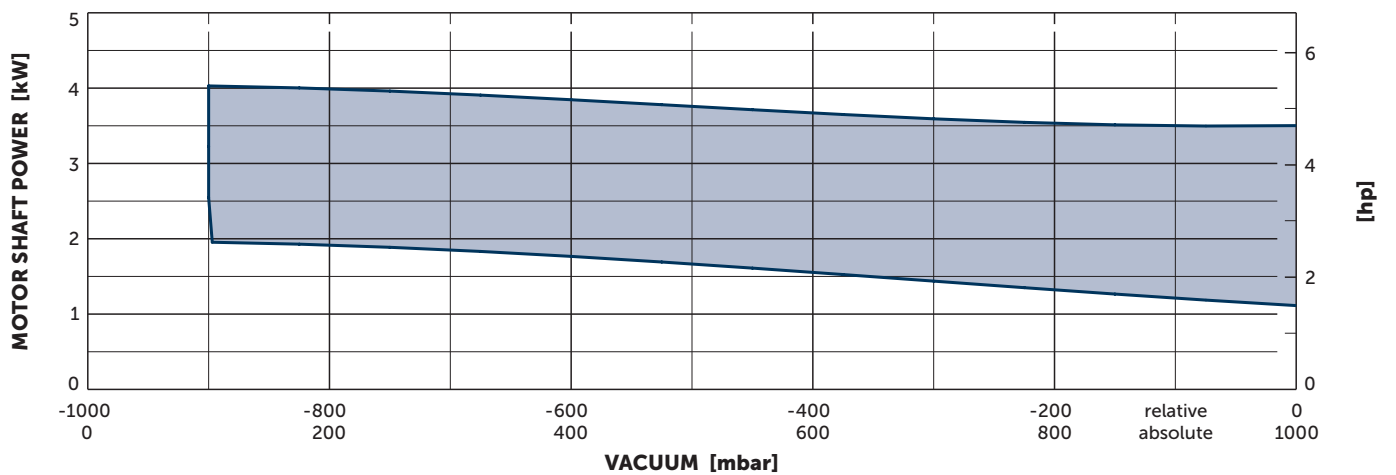
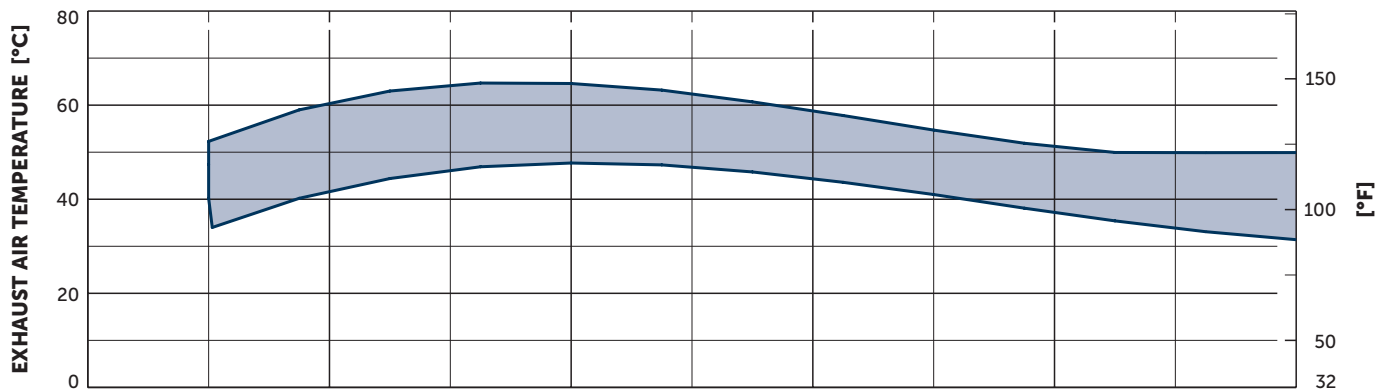
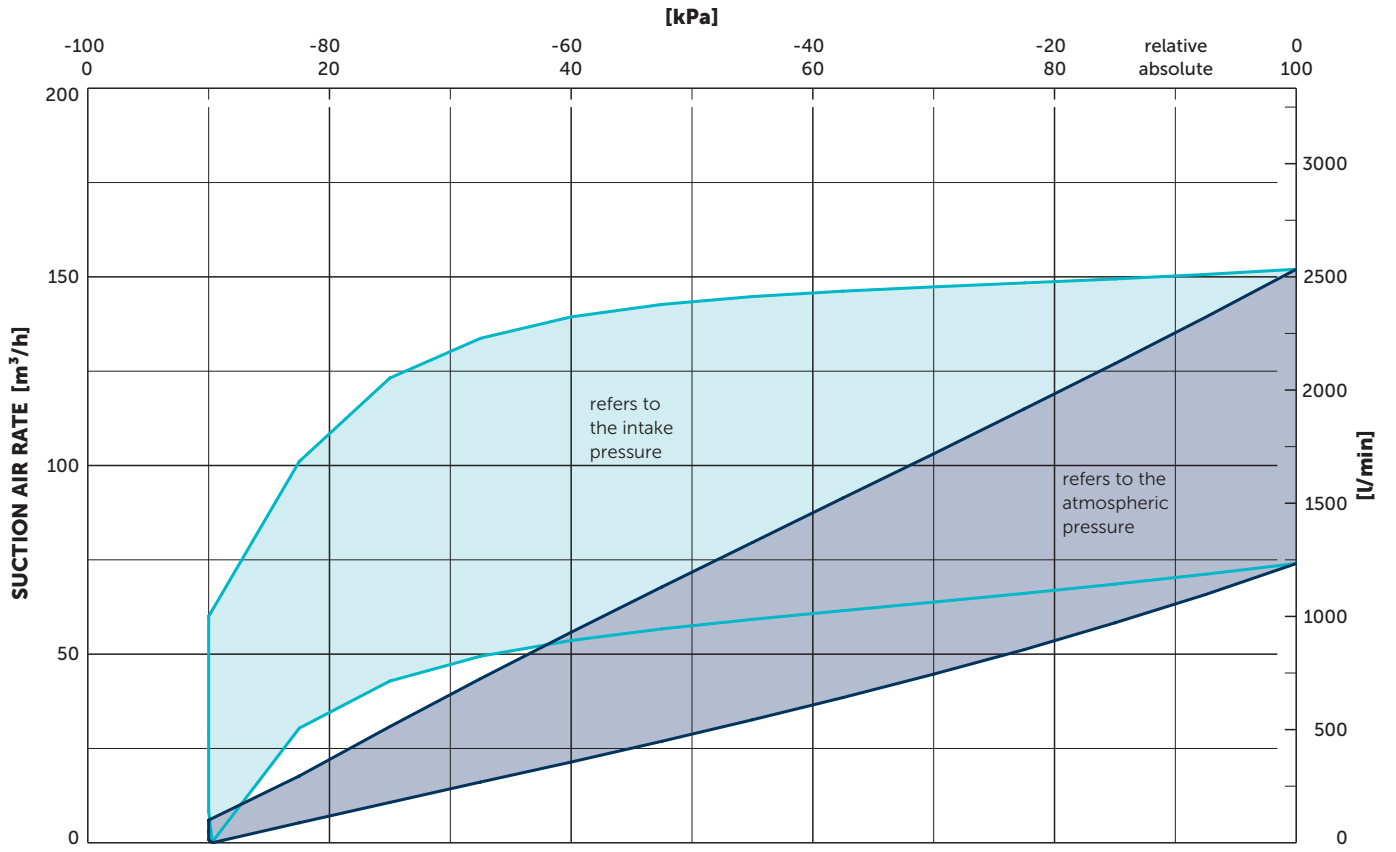
VARIAIR
UNIT

 **BECKER**



Nominal capacity	Vacuum absolute	Frequency	Emission sound pressure level ¹⁾	Weight	Frequency inverter VAU4/4	
m ³ /h max.	mbar max.	Hz	dB(A) @ 400 mbar (40 Hz)	kg	4.0 kW 400–480 V ±10% 50/60 Hz	A max.
180	100	30–60	71	208		10

¹⁾ According to DIN EN ISO 11203, accuracy class of measurement: class 2, extended measurement uncertainty: 3 dB
 1 m [39.4 inch] distance, at medium load, both connection sides piped



Reference data (atmosphere): 1000 mbar (100 kPa), 20°C (68°F), measurements with integrated filter
 Tolerance: ±10%



MAKE IT BECKER.